

Practice 10.3 & 10.4

Name _____

Find the intercepts for the equation.

1) $x + y = 5$

2) $-2x - 2y = 8$

3) $-\frac{x}{6} + \frac{y}{2} = 1$

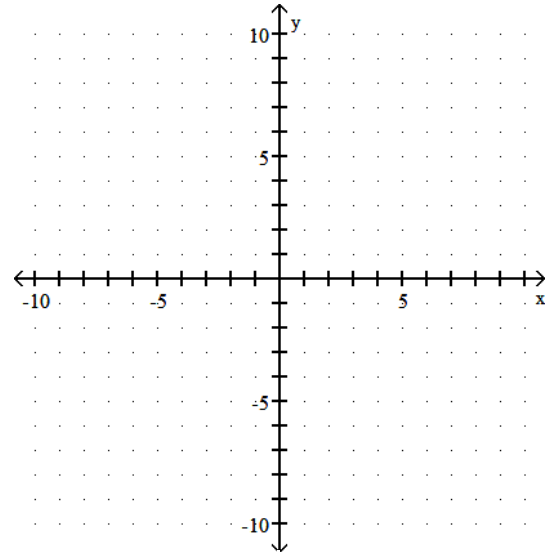
4) $x + y = 5$

5) $-2x - 2y = 4$

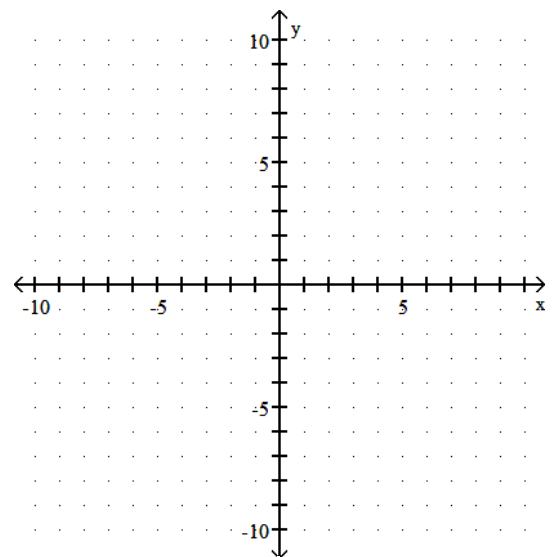
6) $-\frac{x}{5} + \frac{y}{2} = 1$

Graph the equation.

7) $x = -8$

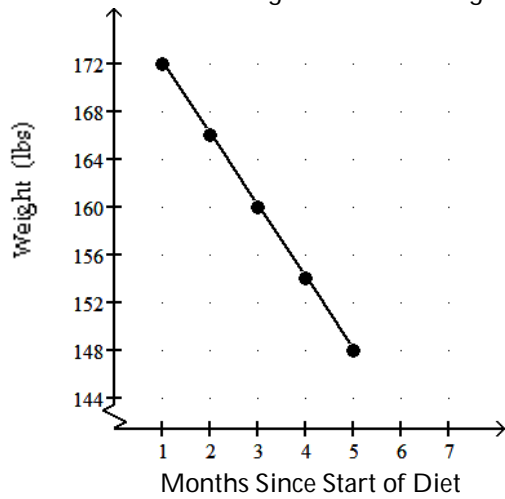


8) $y = -6$



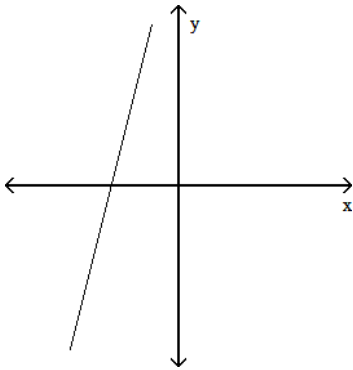
Use the graph to solve the problem.

9) Find the rate of change in Carlos's weight.

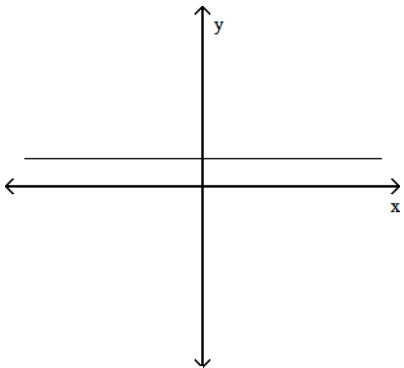


State whether the slope of the line is positive, negative, zero, or undefined.

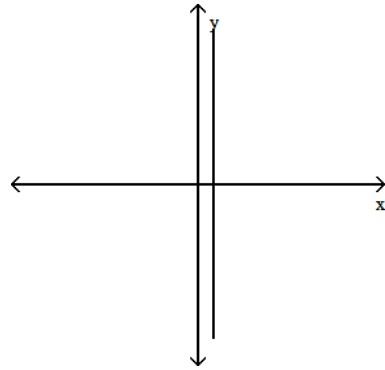
10)



11)



12)



If possible, find the slope of the line passing through the two points.

13) $(-5, -9), (6, -1)$

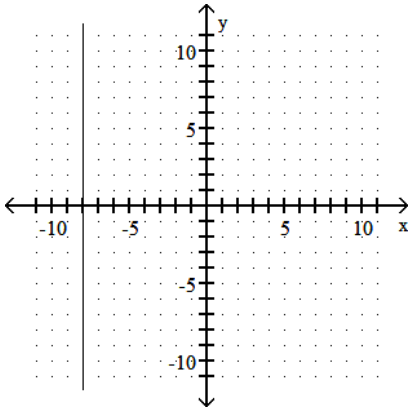
14) $(-3, 8), (7, 8)$

15) $\left(\frac{1}{10}, \frac{1}{5}\right), \left(\frac{3}{10}, \frac{2}{5}\right)$

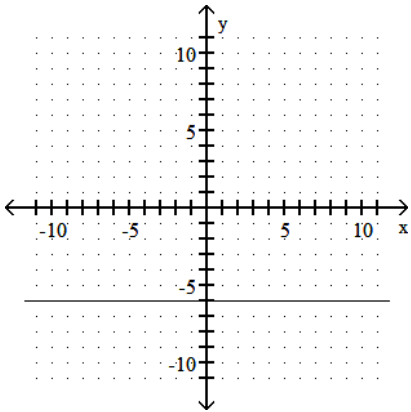
Answer Key

Testname: WKS_10.3_10.4

- 1) x-intercept: 5; y-intercept: 5
- 2) x-intercept: -4; y-intercept: -4
- 3) y-intercept: 2; x-intercept: -6
- 4) x-intercept: 5; y-intercept: 5
- 5) x-intercept: -2; y-intercept: -2
- 6) y-intercept: 2; x-intercept: -5
- 7)



8)



- 9) -6 pounds per month
- 10) positive
- 11) zero
- 12) undefined
- 13) $\frac{8}{11}$
- 14) 0
- 15) 1