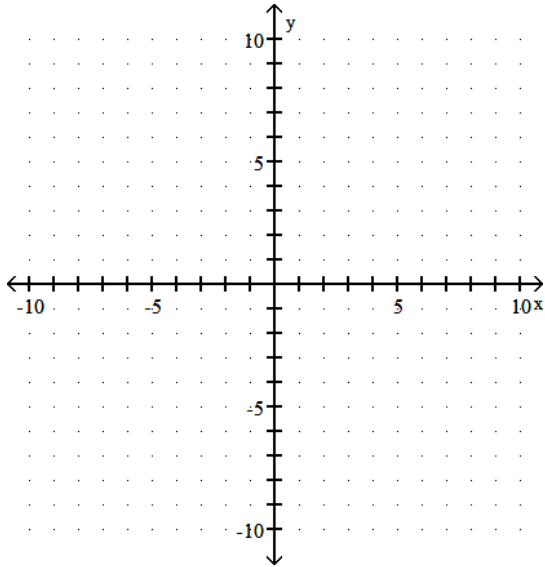


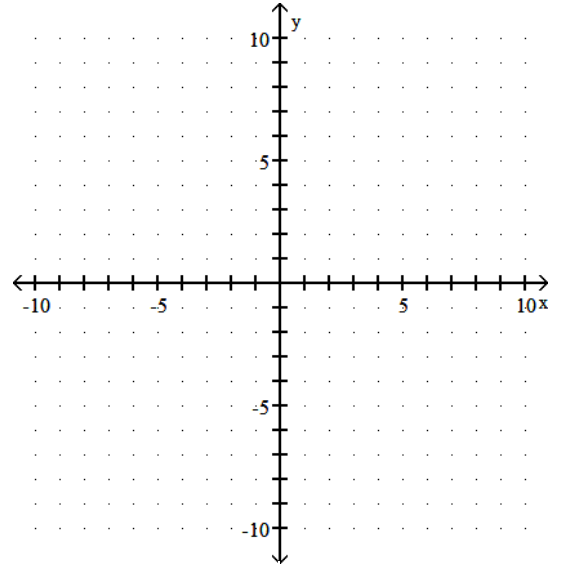
Name \_\_\_\_\_

(10.2b) Graph the equation.

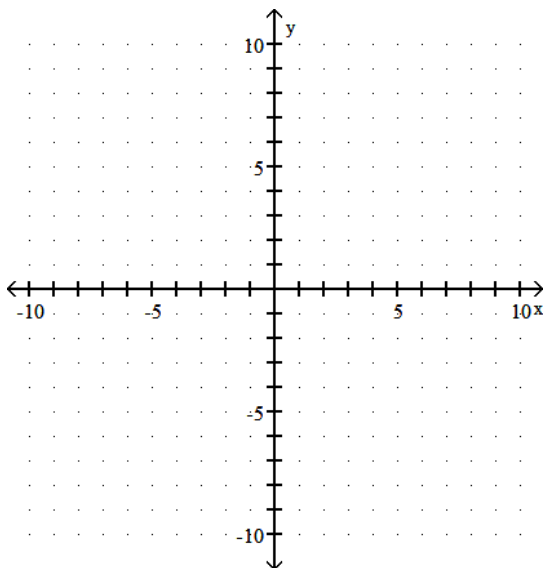
1)  $4y + 20x = 32$



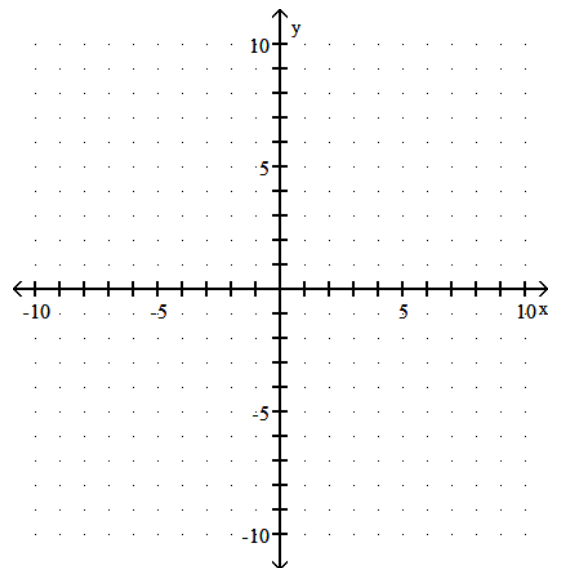
3)  $y = \frac{4}{3}x - 1$



2)  $y = \frac{1}{6}x$



4)  $2x = y - 2$



(10.3) Find the intercepts for the equation.

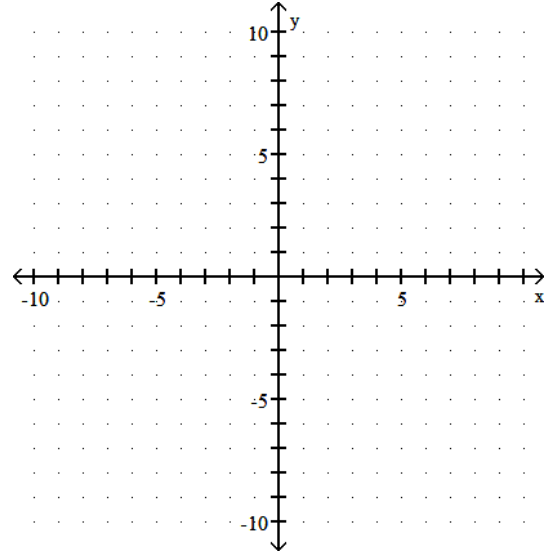
5)  $x + y = 5$

6)  $-2x - 2y = 8$

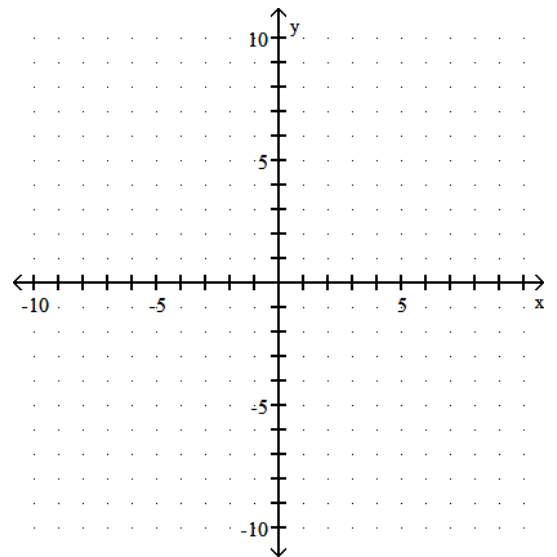
7)  $-\frac{x}{6} + \frac{y}{2} = 1$

Graph the equation.

8)  $x = -8$



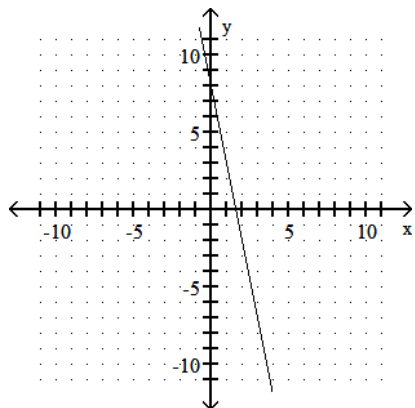
9)  $y = -6$



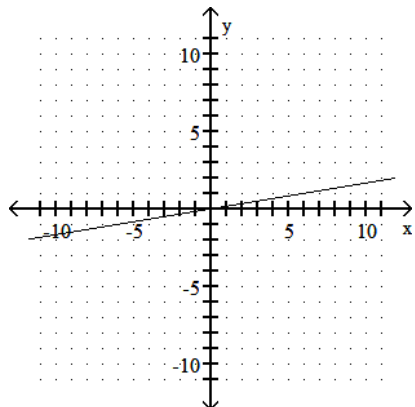
Answer Key

Testname: WKS\_10.2B\_10.3

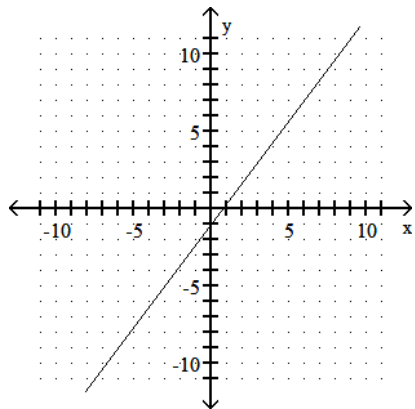
1)



2)



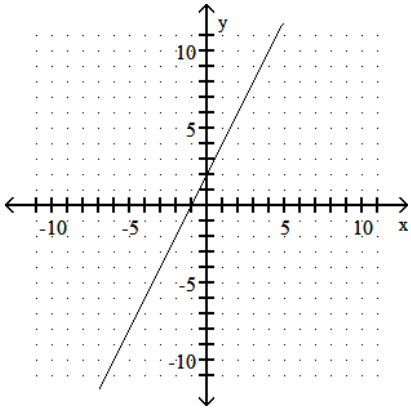
3)



Answer Key

Testname: WKS\_10.2B\_10.3

4)

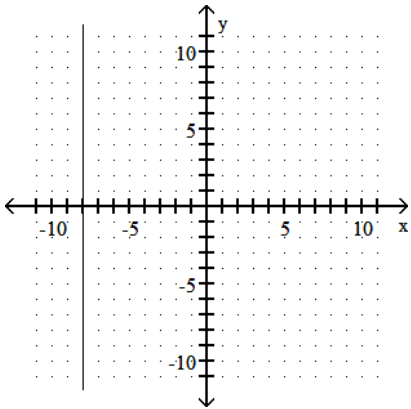


5) x-intercept: 5; y-intercept: 5

6) x-intercept: -4; y-intercept: -4

7) y-intercept: 2; x-intercept: -6

8)



9)

