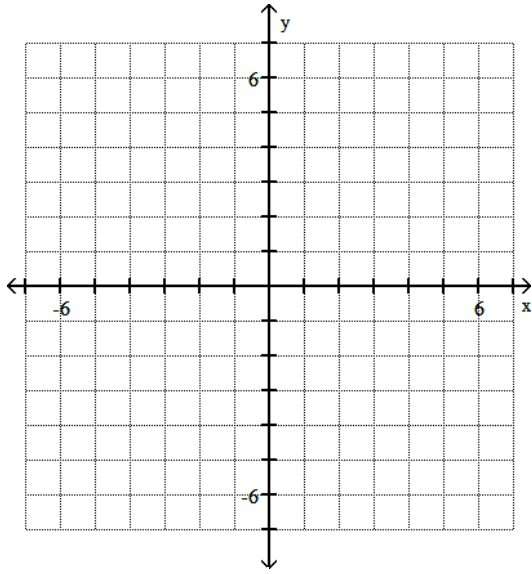


Practice 10.1 & 10.2

Name _____

Make a scatterplot by plotting the four points.

- 1) (5, -6), (-4, 5), (-1, -1), (6, 0)



Use the given values of the variable to make a vertical table of solutions for the equation.

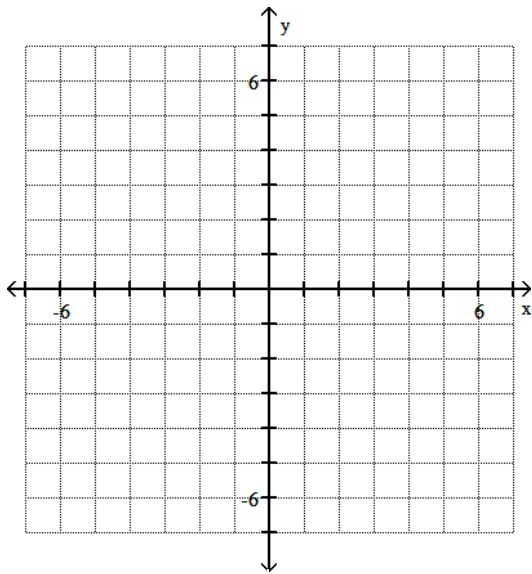
3) $y = \frac{x+5}{2}$, $x = -5, 5, 7, 9$

4) $y - 5x = 0$, $y = -10, -5, 0, 10$

Use the table of xy-values to make a line graph.

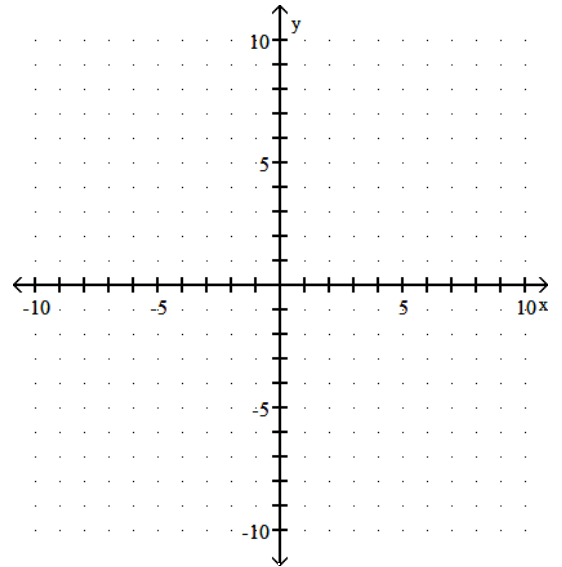
2)

x	4	-1	3	2	-2
y	6	4	4	-1	-2

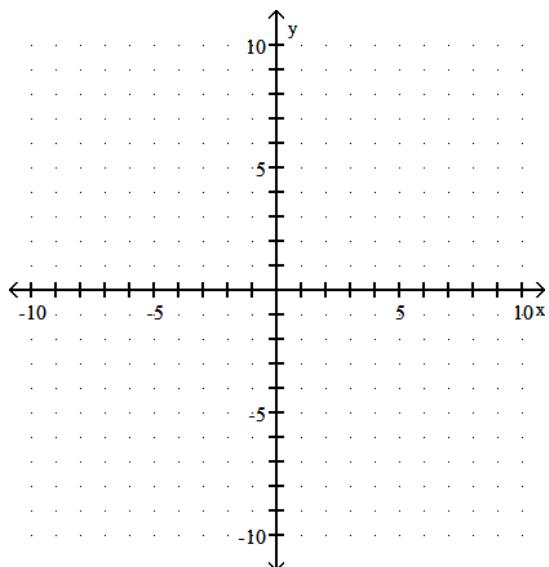


Graph the equation.

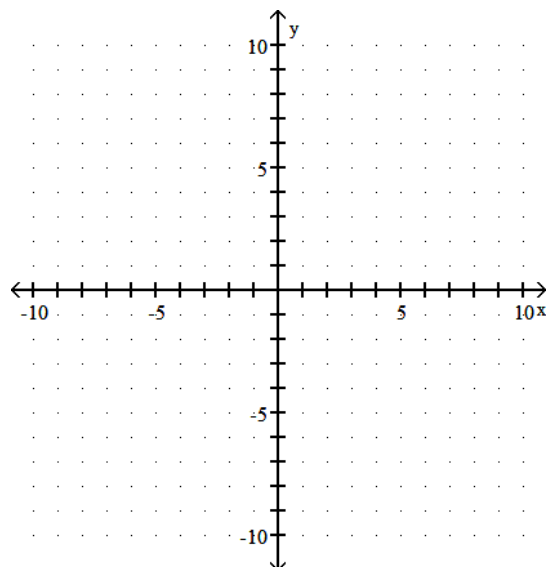
5) $4y + 20x = 32$



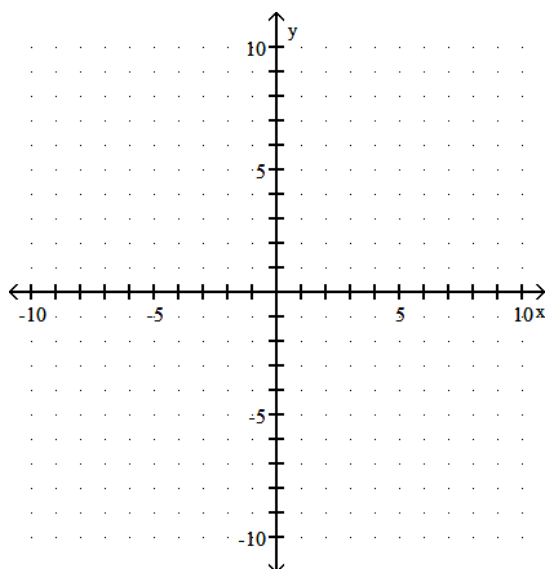
$$6) y = \frac{1}{6}x$$



$$8) 2x = y - 2$$



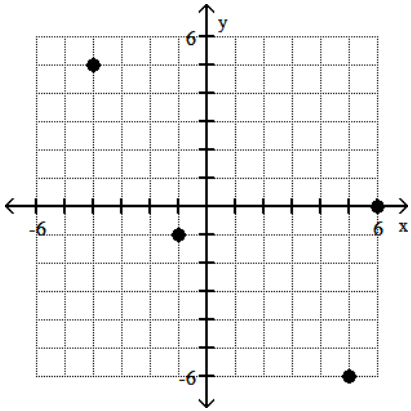
$$7) y = \frac{4}{3}x - 1$$



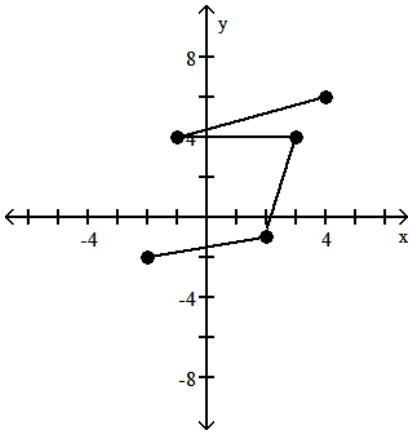
Answer Key

Testname: WKS_10.1_10.2

1)



2)



3)

x	y
-5	0
5	5
7	6
9	7

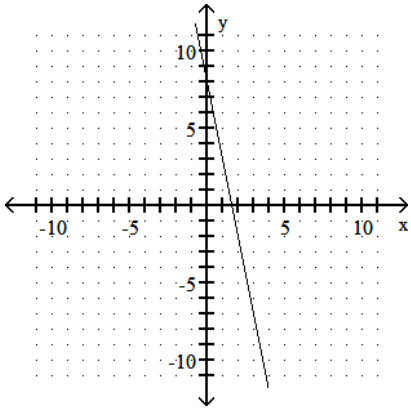
4)

x	y
-2	-10
-1	-5
0	0
2	10

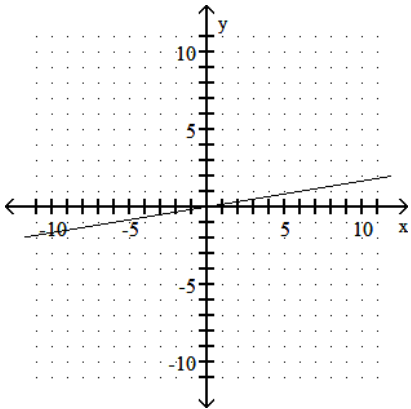
Answer Key

Testname: WKS_10.1_10.2

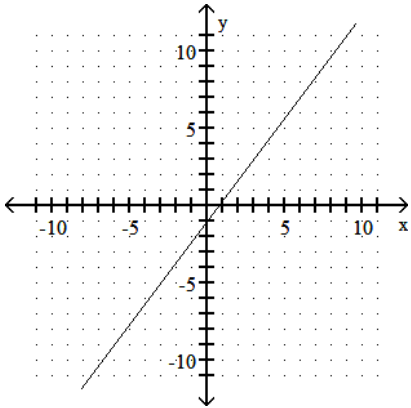
5)



6)



7)



Answer Key

Testname: WKS_10.1_10.2

8)

